

Special High Grade Zinc (SHG) 99.995%

Technical Datasheet

Uses

Zinc ingots of high purity for tube, wire, sheet or general galvanizing.

Nyrstar Clarksville Z1 (99.995%), formerly known as JMZ, is an LME-approved brand, conforming to the specifications covering quality, shape and weight as defined by the special contract rules of the LME Standards.

Chemical specification

Chemical specification	Guaranteed analysis
Pb	≤ 0.003%
Cd	≤ 0.003%
Fe	≤ 0.002%
Sn	≤ 0.001%
Cu	≤ 0.001%
Al	≤ 0.001%
Total of 6 elements above Zn, min.	≤ 0.005%
	99.995%

Standards

Standard	Grade
American ASTM B6:07 (UNS)	LME (Z12002)
International ISO752:2004	ZN1
European EN1179:2003	Z1

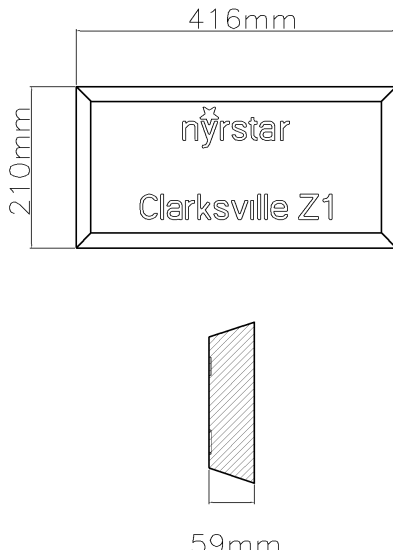
Physical data

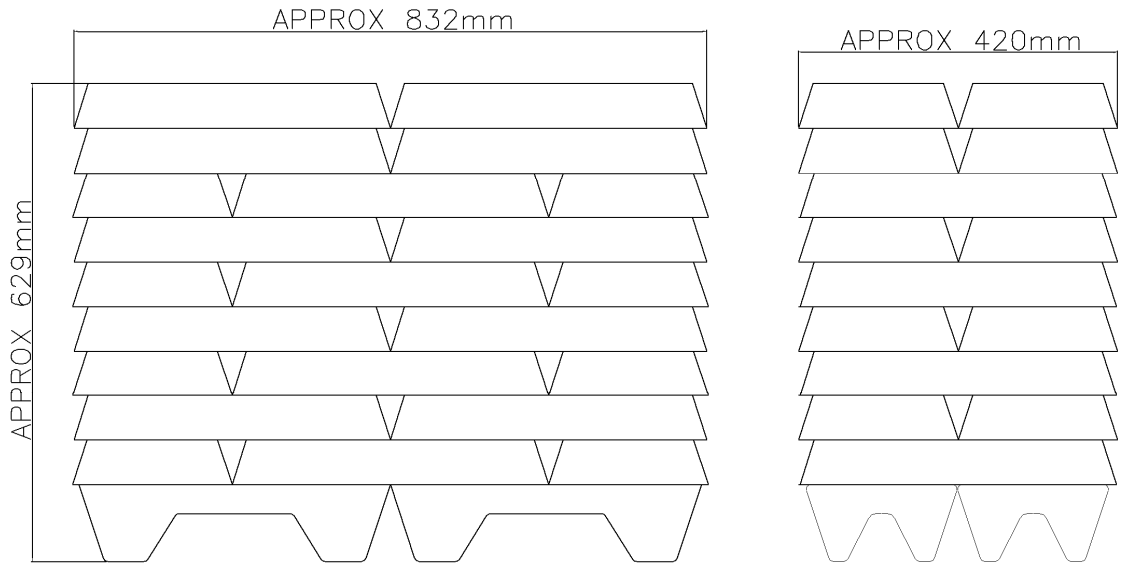
Physical property	Unit	Value
Density solid	kg/dm ³	7.14
Liquid (@ 419°C)	kg/dm ³	6.62
Melting point	°C	419
Superficial tension (@ 450°C)	N/m	0.78
Melting enthalpy	KJ/kg	100
Thermal capacity solid	J/kg K	460
liquid	J/kg K	628

Available shapes/package

Shape/package	Nominal weight (in kg)	Dimensions (in mm)
Slab	27	416 x 210 x 59
Slab bundle (40 slabs per bundle)	1089	832 x 420 x 629
ASTM Jumbo	1089	1257 x 500 x 318

Special High Grade Zinc (SHG) 99.995% Technical Datasheet

Slab	Nominal mass 27 kg Dimensions 416 x 210 x 59
	

Slab bundle (40 slabs per bundle)	Nominal mass 1089 kg Dimensions 832 x 420 x 629
	

Special High Grade Zinc (SHG) 99.995% Technical Datasheet

ASTM Jumbo

Nominal mass 1089 kg
Dimensions 1257 x 500 x 318

